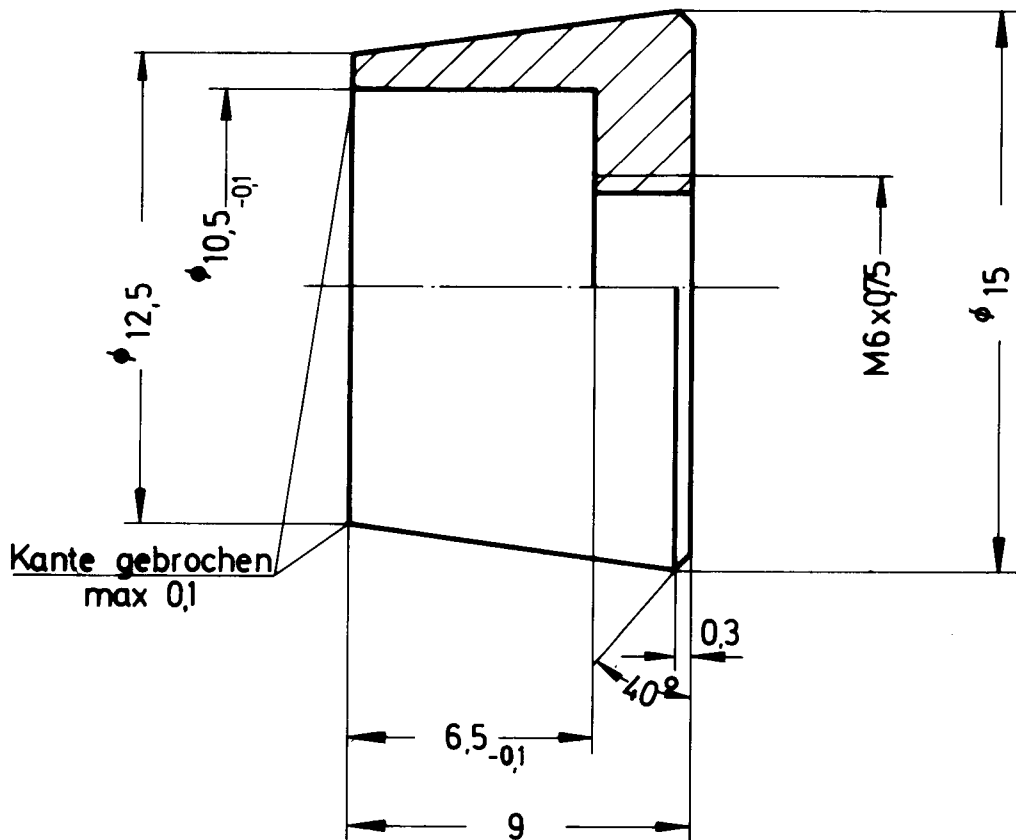
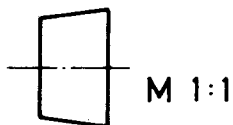


Delivery or duplication of this document, and the use or communication of the contents thereof, are forbidden without express authority. Offenders are liable to the payment of damages. All rights are reserved in the event of the grant of a Patent or the registration of a Utility Model.

Werkstattzeichnung



Werkstoff: Cu Zn 39 Pb 3 zh
 nicht tol. Maße DIN 7168 m



2	verchromt 3 - 5 μ schwarz	20 03 01
1	" hochglanz	20 03 00
Ausf.	Oberfläche	Zeichn.Nr.

Gewindehülse CO 106/106S

knitter-switch 20 03 00 20 03 01

M 5:1

Blatt

Blätter